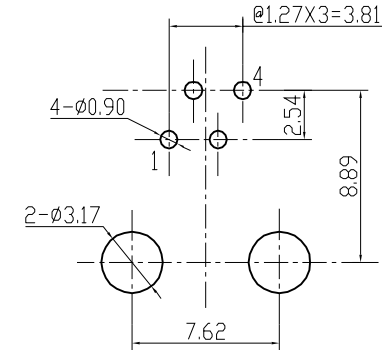
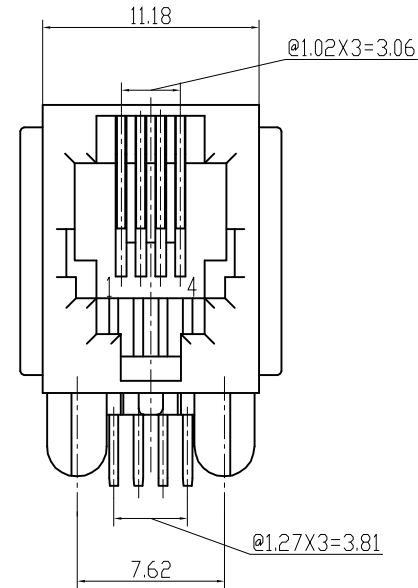
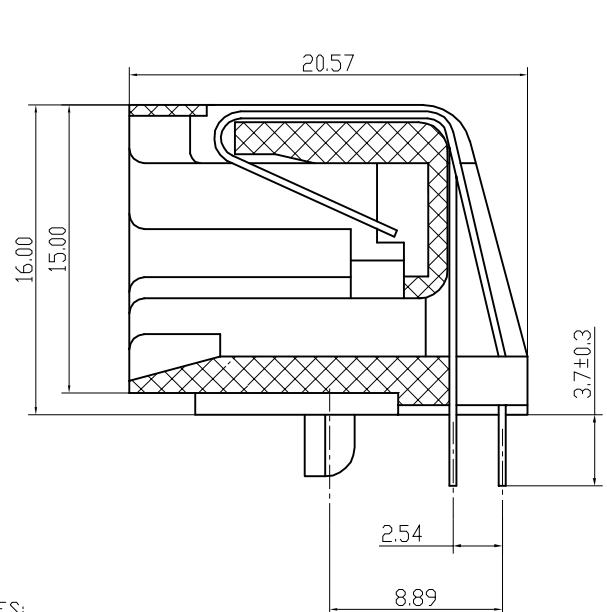


REV.	ECN NO.	DATE
01	ADD PART NO.	08.10.22



PC BOARD LAYOUT
THICKNESS=1.6MM

NOTES:

ELECTRICAL:

- 1. VOLTAGE RATING : 125 VAC RMS.
- 2. CURRENT RATING : 1.5 AMP.
- 3. CONTACT RESISTANCE : 45 MILLIOHMS MAX.
- 4. INSULATION RESISTANCE : 1000 MEGOHMS MIN @ 500 VDC
- 5. DIELECTRIC STRENGTH : 1000 V AC OR 1500V DC RMS @ 0.5mA 50 Hz / 60 Hz 1 Minute

MECHANICAL:

- 1. HOUSING&INSERT& MATERIAL : PBT UL94V-0. COLOR BLACK
- 2. CONTACT MATERIAL : PHOSPHOR BRONZE T=0.35mm.
- 3. PLATING : 1: CONTACT AREA- SELECTIVE GOLD PLATING.
2: TAILS PLATING TIN OVER NICKEL.
- 4. OPERATING LIFE : 750 CYCLES MIN.
- 5. MATING/UNMATING FORCE: : 22N / 2.27kg Max.
- 6. RETENTION STRENGTH: : 57.83N Min.

ENVIRONMENTAL:

- 1. STORAGE : -10°C TO +40°C RELATIVE HUMIDITY<80%.
 - 2. OPERATION : -40°C TO +85°C.
- MATES WITH MODULAR PLUG CONFORMING TO
FCC PART 68, SUBPART F.
ROHS PART NUMBER:

Coor le Technology

TOLERANCES .0 ± 0.25 .00 ± 0.20 .000 ± 0.10 ANGLES ± 0.5	MATERIAL:	DESIGNED: Qianpu08.10.22	NAME: RJ11 1X1 5721 4P4C PCB JACK
	FINISH:	CHECKED:	DWG NO: REV
	SHEET 1 OF 1		APPROVED:

		SCALE	UNIT	CUSTOMER: N/A
THIRD ANGLE PROJECTION	SIZE	1:1	mm	MODEL NO: N/A